

AN236 Servo Amplifier



The AN236 servo-amplifier has been specially developed for yoke positioning on an axial piston pump.

The AN236 is used as a basic unit. By connecting a special module it is possible to drive the AN236 as the AN237 together with positioning controlled proportional valves.

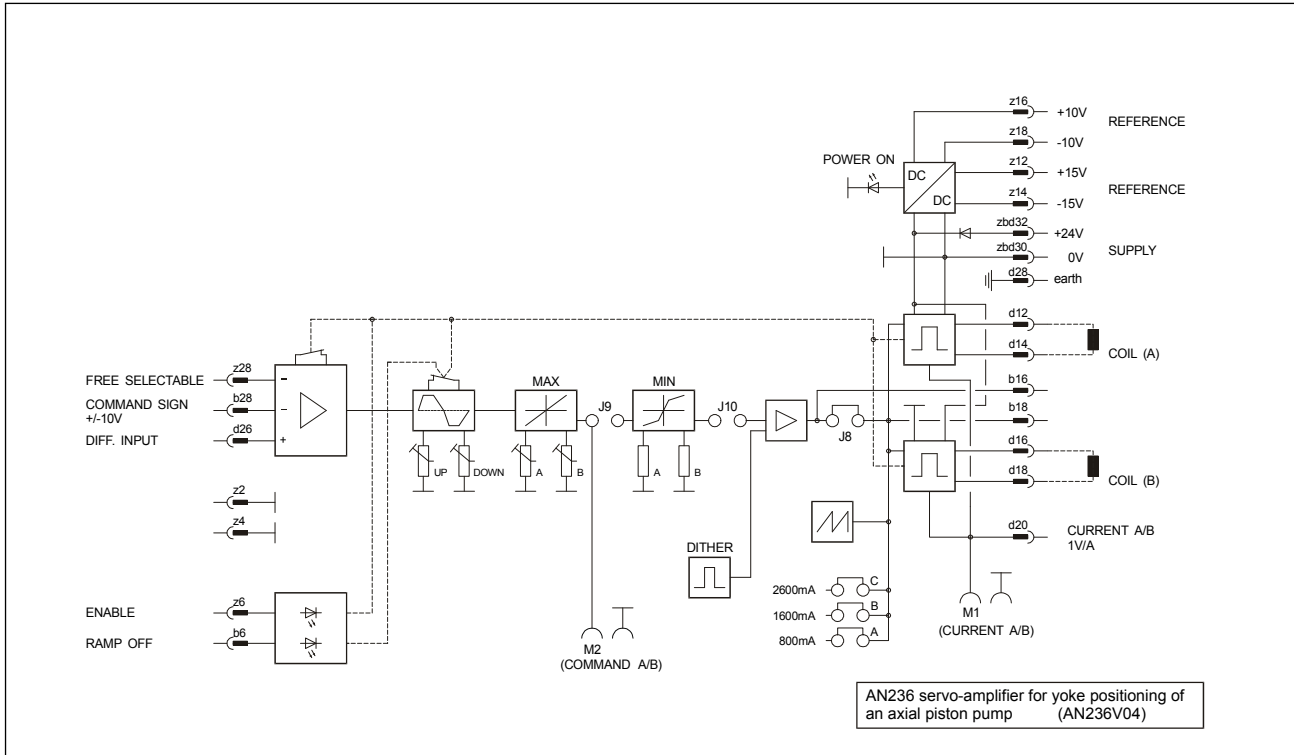
Features:

- Secured against wrong polarity
- Secure of short-circuit
- External switch-off ramp
- Ramp with quadrant identification
- Wide range of ramp adjustment
- External enable (no-load current circuit)
- Test jack for: command signal, valve current
- Same potential of: minus of the supply voltage, zero-potential of the inputs, zero-potential of the reference voltage
- PWM - output stages (high dynamic)
- Different inputs for the most popular input-voltages, allows flexible input switching
- LED indication for: Power on, Ramp off, Fail-safe
- Potentiometer for ramps and pump modulation mounted on front panel

PEES

COMPONENTS

AN236 Servo Amplifier



Technical Data:

Dimensions (overall dim.)	Eurocard format (160x100)mm (40.5x128.7x189.7)mm (WxHxD), Front plate 3HUx8SU
Connection	48 pin connector DIN 41612 F48
Supply voltage	24V DC (20-32V DC)
Reference voltages	±10V, 10mA, stabilised ±15V, 25mA, unstabilised
Output current	$I_{max} = 2600 \text{ mA}$, 3 plug-selectable ranges: (0-800mA, 0-1600mA, 0-2600mA)
PWM frequency	Approx. 5.5 kHz
Short-circuit protection	for output stage and reference voltages
Signal inputs	1x ±10V, 100kΩ 1x user selectable 10kΩ/V
Dither	approx. 130 Hz Adjustable amplitude, approx. 0-10% of rated current.
Ramp times	Ramp up/down independently adjustable, 0.2-10sec 20%
Ramp off	Input voltage 24V, 10kΩ, Indication by LED 'Ramp off'
Stop	Normally closed circuit, Input voltage 24V, 10kΩ Indication by LED 'Fail safe'
Measurement sockets (ø 2 mm)	VALVE CURRENT: 1V = 1A, ±8%, COMMAND SIG: desired signal ±10V depends on the input voltage