

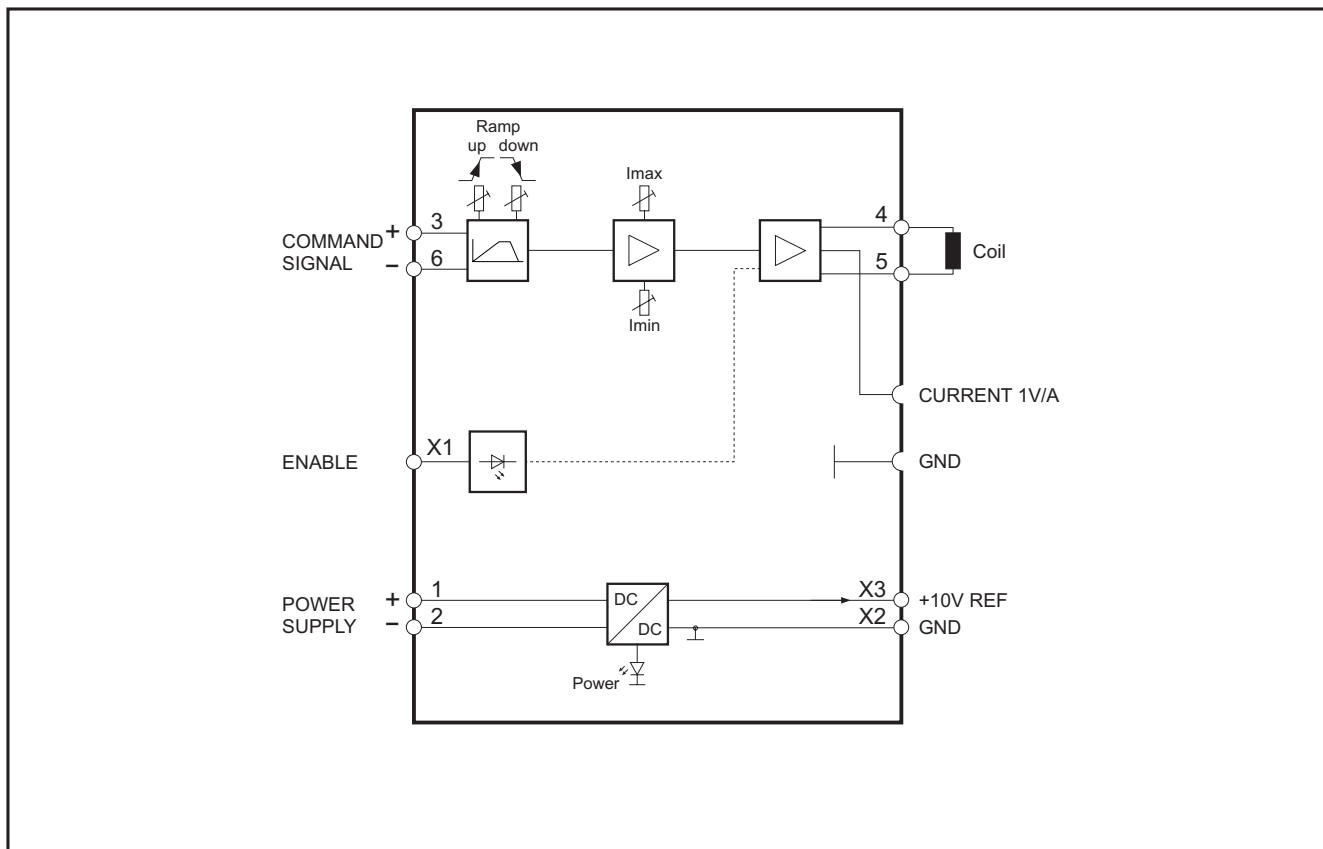


The AN423 servo amplifier module is intended for the control of single magnet proportional valves.

The snap-on housing enables the amplifier module to be mounted on normal carrier rails in control cabinets. The electrical connections are via a terminal strip and 3 flat connectors (enable input, reference voltage +10V and GND).

Four multi-turn resistors allow the adjustment of volumetric flow amplification (I_{max}), I_{min} jump (I_{min}) and the acceleration and deceleration ramp times (ramp up and ramp down) to be adjusted externally.

AN423 Servo Amplifier



Technical data:

Supply voltage	24V DC (22...32V DC)
Auxiliary voltage	To supply an external setpoint potentiometer: +10V, max. 5mA
Output current	according to version: 0... 800mA 0...1600mA 0...2500mA
PWM frequency	approx. 150Hz
Inputs	0...10V (differential input)
Enable	Input +24V, indication via 'Fail safe' LED
Measuring socket	Current: valve current: 1V/A (10%)
Multi-turn resistors	I _{max} : I _{min} : adjustable for magnet coil A, up to 50% of I _{max} Ramp up: acceleration ramp, adjustable in ratio 1:50 Ramp down: deceleration ramp, adjustable in ratio 1:50