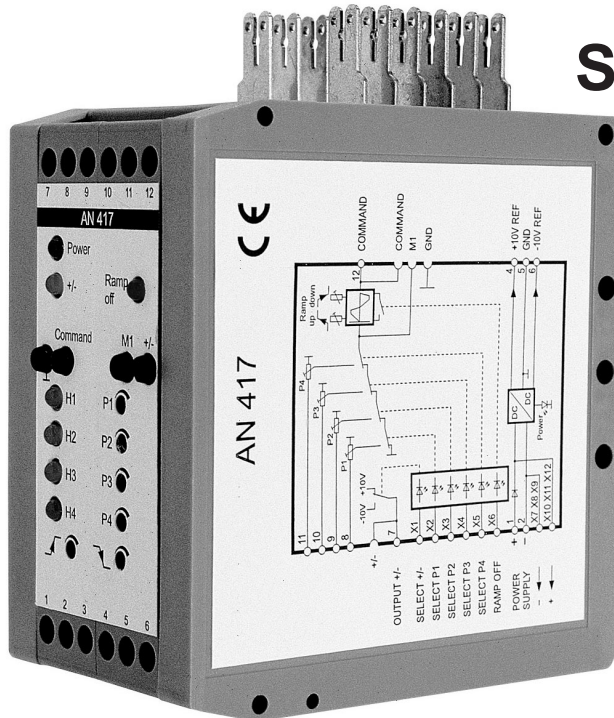


AN417 Setpoint Module

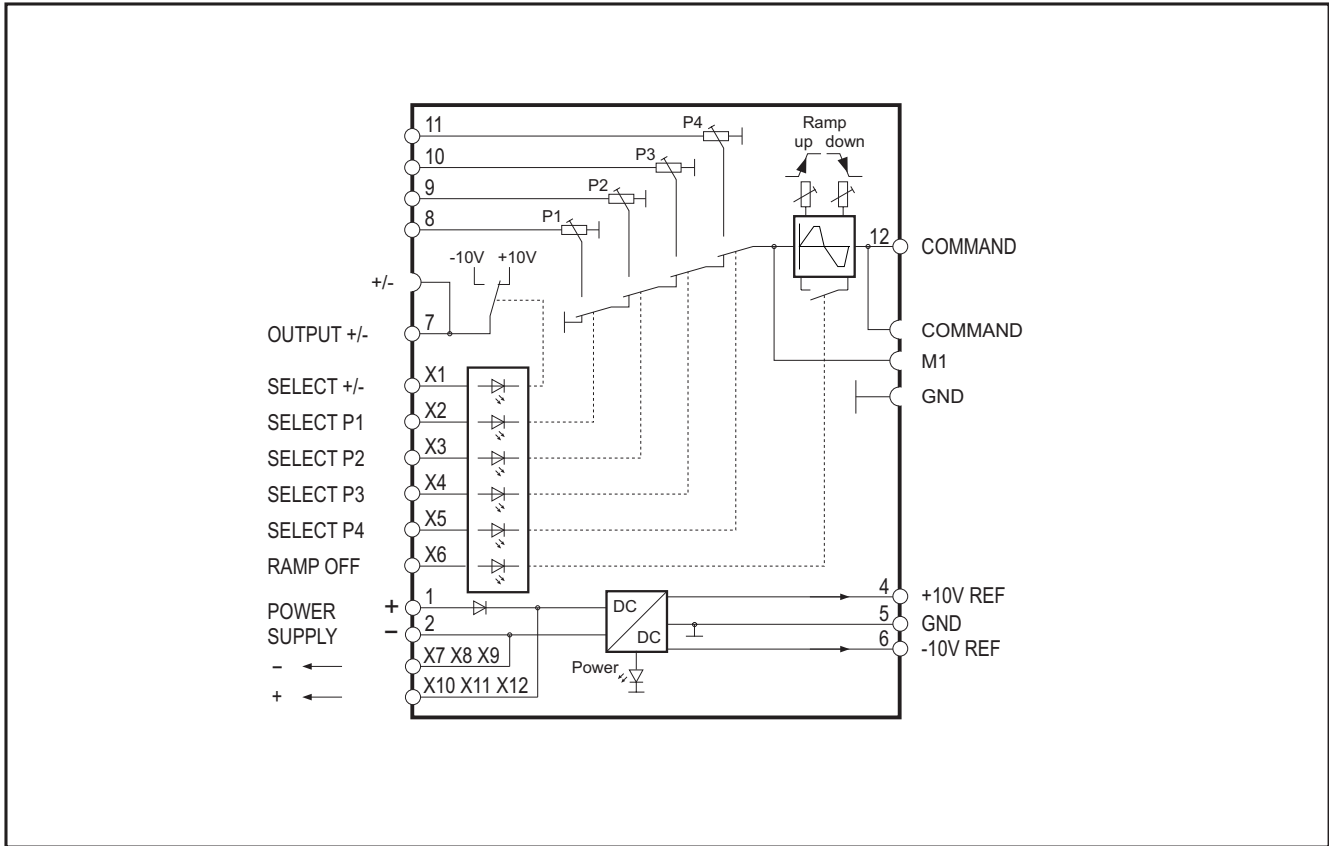


The AN417 setpoint module enables the universal input of setpoints for the control of servo and proportional valves.

It has four setpoints and a polarity reverser. In addition, there is a quadrant-sensitive ramp. The ramp can be switched off externally via an input.

The snap-on housing enables the AN417 module to be mounted on normal carrier rails in control cabinets. The electrical connections are via a terminal strip and flat connectors.

AN417 Setpoint Module



Technical data:

Supply voltage 24V DC (22...32 V DC)

Auxiliary voltages To supply an external setpoint potentiometer:
 +10V, max. 10mA
 -10V, max. 10mA

Temperature range 0 - 50 °C

Measuring sockets Command: output signal
 M1: adjusted setpoint
 +/-: output of polarity reverser

Multi-turn Resistors P1: setpoint 1 adjustment
 P2: setpoint 2 adjustment
 P3: setpoint 3 adjustment
 P4: setpoint 4 adjustment
 Ramp up: acceleration ramp, adjustable in ratio 1:50
 Ramp down: deceleration ramp, adjustable in ratio 1:50