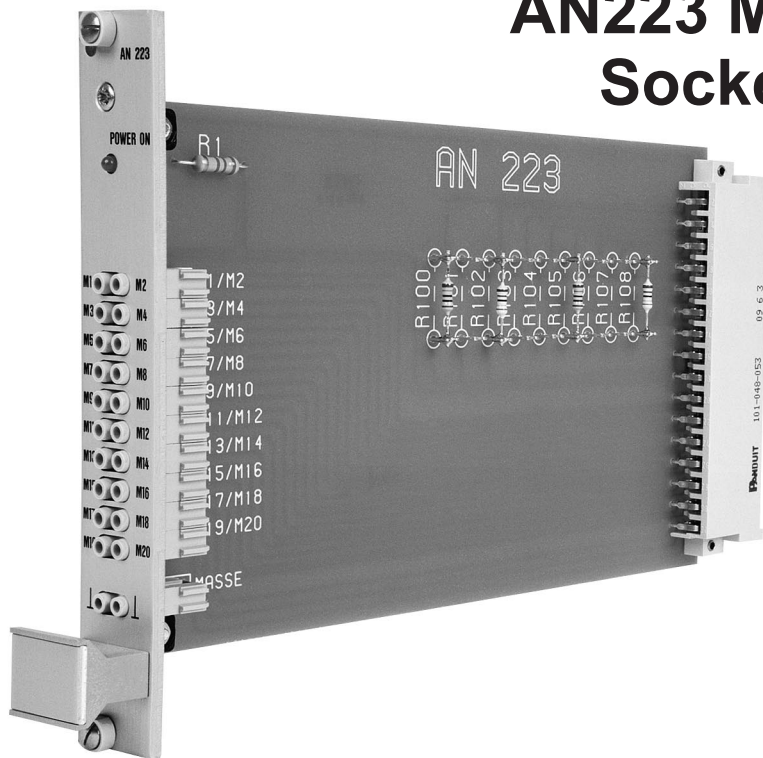


AN223 Measurement Socket Module



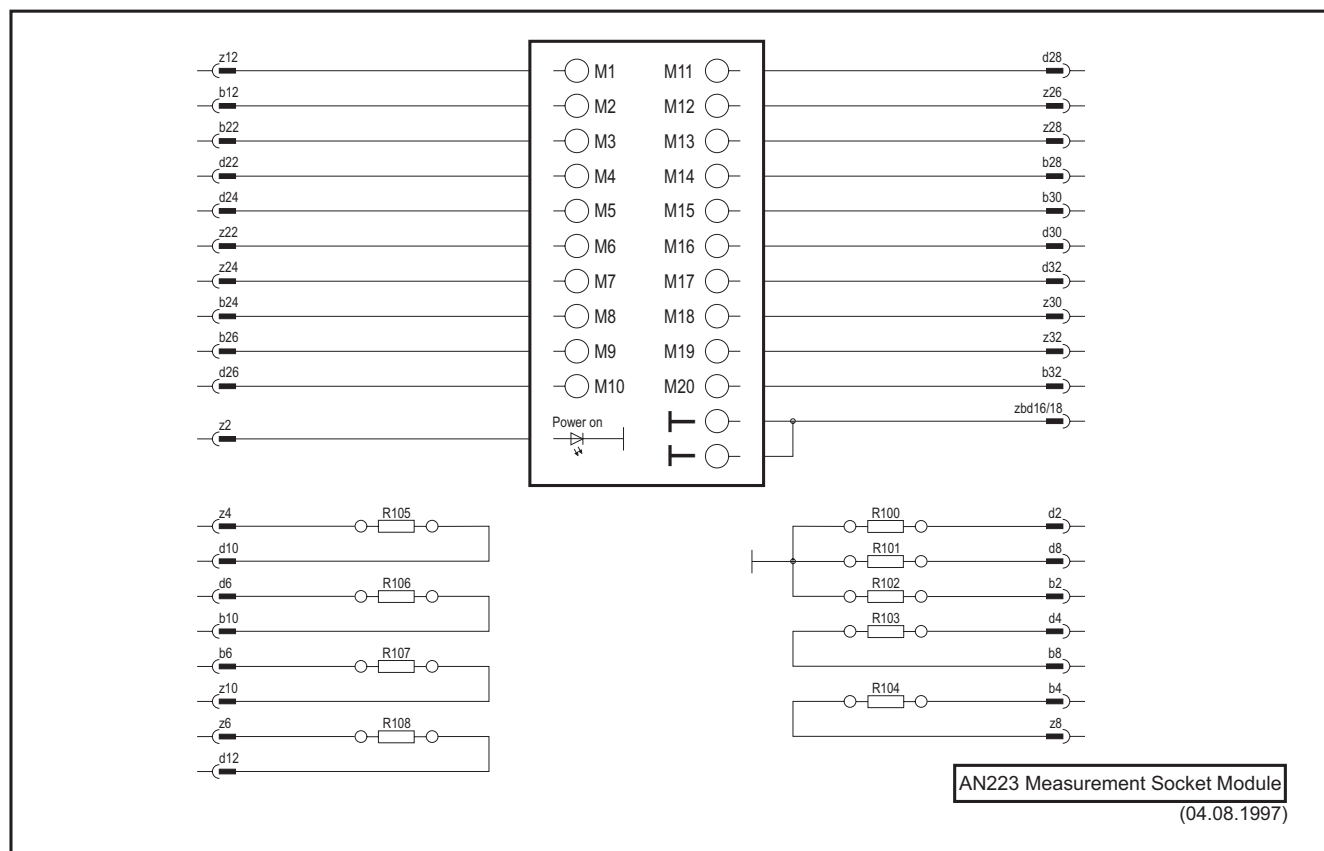
The AN 223 measurement socket module has 20 measurement sockets on the front plate. These allow rapid checking of the individual function stages of a system.

In addition, 9 pairs of solder tags are provided for use as required.

Features:

- 20 measurement sockets
- 2 ground sockets
- narrow front plate
- power on LED
- 9 pairs of solder tags for use as required

AN223 Measurement Socket Module



Technical data:

Dimensions Eurocard format (160x100)mm
(overall dim.) (20x128.7x186.5)mm (WxHxD)
Front plate 3HUx4SU

Connection 48 pin connector DIN 41612 F48

20 measurement sockets 2mm
2 ground sockets 2mm